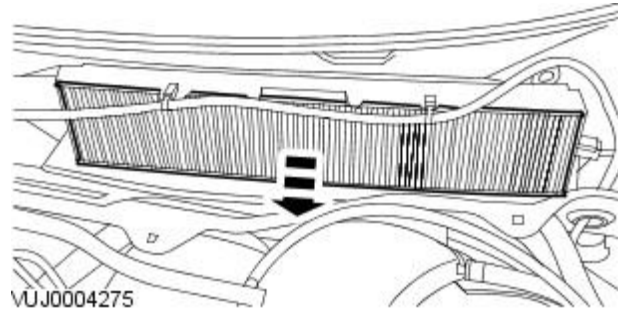


Air Distribution and Filtering - Pollen Filter

Removal and Installation

Removal

1. Remove the cowl vent screen.
For additional information, refer to: [Cowl Vent Screen](#) (501-02 Front End Body Panels, Removal and Installation).
2. Remove the pollen filter.



VUJ0004275

Installation

1. To install, reverse the removal procedure.

JagDocs.com

Front End Body Panels - Cowl Vent Screen

Removal and Installation

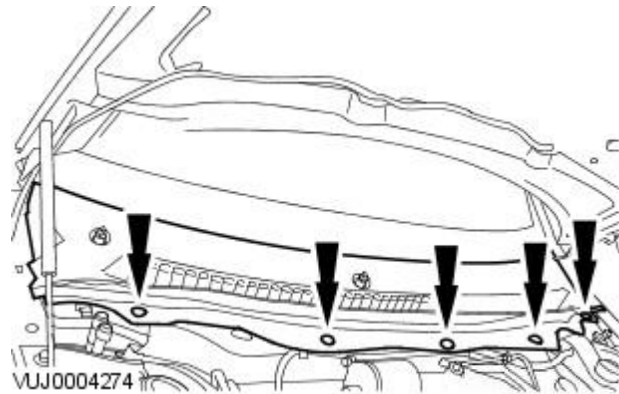
Removal

All vehicles

1. Remove the wiper arms and blades.
For additional information, refer to: [Wiper Pivot Arm](#) (501-16 Wipers and Washers, Removal and Installation).

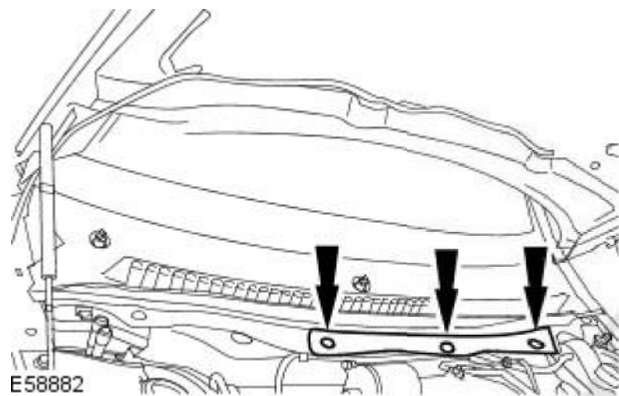
Vehicles built up to VIN:E43868

2. Remove the cowl vent screen.

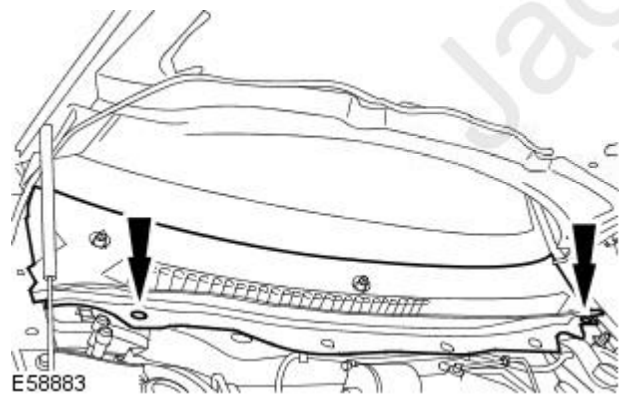


Vehicles built from VIN:E43869

3. Remove the cowl vent screen heatshield.



4. Remove the cowl vent screen.




Installation

1. To install, reverse the removal procedure.

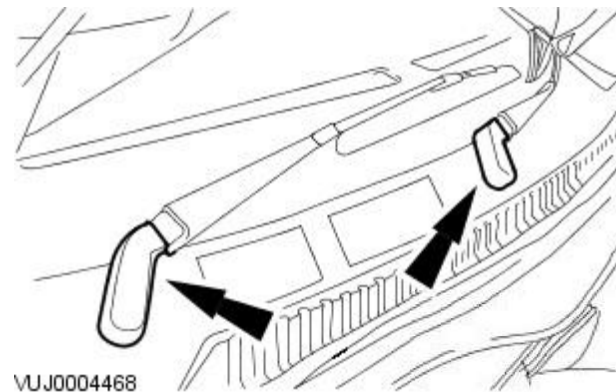
Wipers and Washers - Wiper Pivot Arm

Removal and Installation

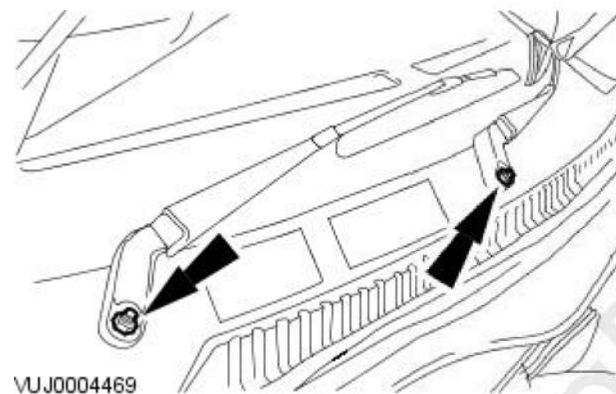
	Special Tool(s)
 <p data-bbox="23 353 103 376">501-065</p>	<p data-bbox="304 168 619 190">Remover - windscreen wiper</p> <p data-bbox="304 212 399 235">501-065</p>

Removal

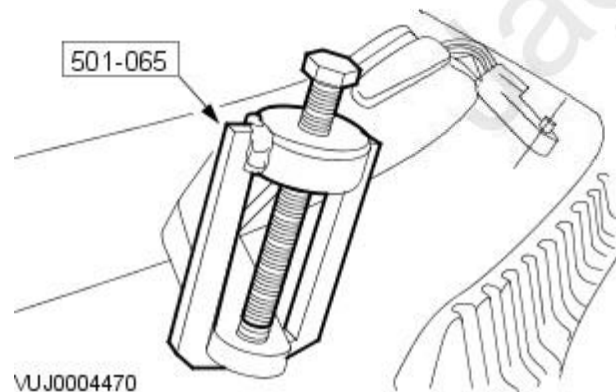
1. Remove the wiper arm nut covers



2. Remove the wiper arm nuts.



3. Using the special tool, detach the wiper arms.



4. Remove the wiper arms

